



Assembly Instructions

ITEM Number : LFY142-1 (Vanilla)
LFY143-1 (Pecan)
LFY144-1 (Espresso)

Product Name: Classic Playtime Deluxe Activity Table with Free Paper Roll

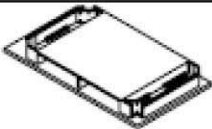
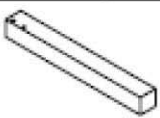


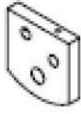
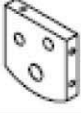



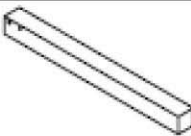


PRE-ASSEMBLY PREPARATION:




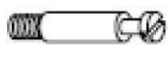



- Read the Assembly Instructions in full before you begin to assemble.
- Please check all contents of this package before attempting to assemble the product.
- Please use **CAUTION AND CARE WHEN LIFTING** the product to avoid personal injury and (or) damage to the product.
- For ease of assembly, two people are recommended.
- The expected time required for assembly is about 20-30 minutes.
- The hardware packet contains **SMALL ITEMS** which should be **KEPT AWAY FROM CHILDREN**.
- A full checklist of components is provided. If any components are missing, please contact the retailer from whom you have purchased this product or Hayneedle's Customer Care Center.

ADULT ASSEMBLY REQUIRED.

Parts B, C and D are set of 17" high legs; Parts I, J and K are set of 22" high legs, you could select each set to assemble.

Panel and Fittings Identification:

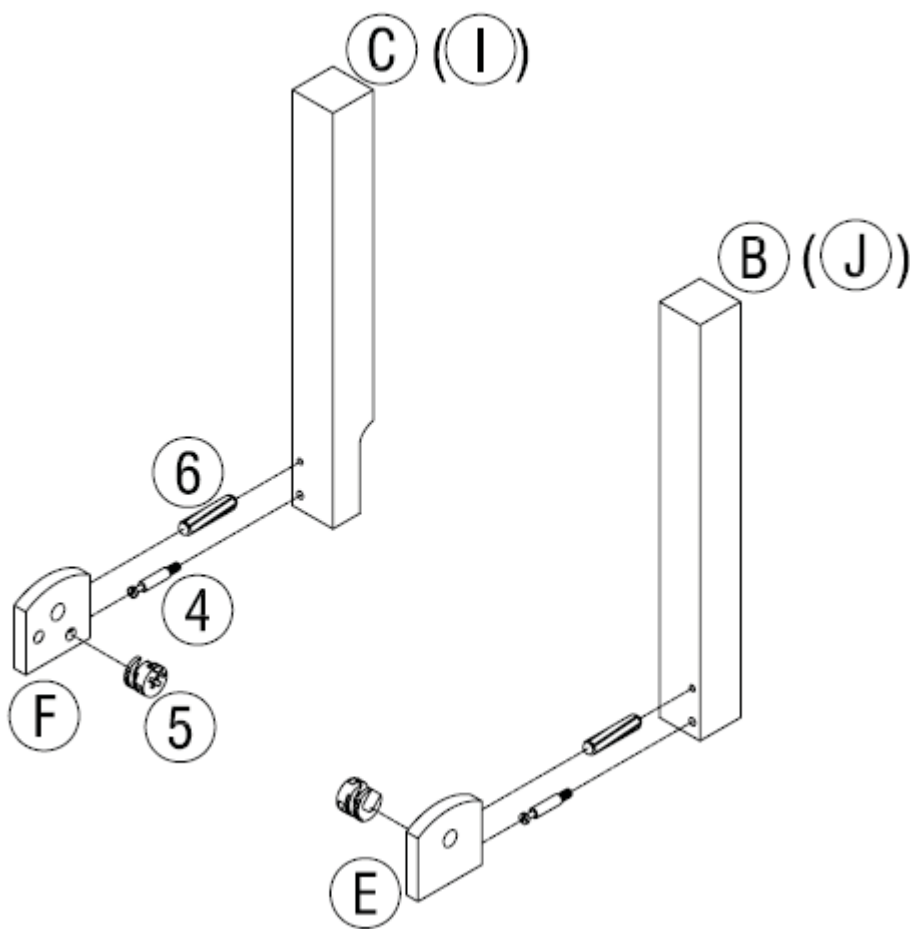
	PARTS	Q'TY
A		1PC
B	 17"	1PC
C	 17"	1PC
D	 17"	2PCS
E		1PC
F		1PC
G		2PCS
H		1PC
I	 22"	1PC
J	 22"	1PC
K	 22"	2PC
L		1PC

	PARTS	Q'TY
1		8PCS
2		8PCS
3		8PCS
4		4PCS
5		4PCS
6		2PCS
7		1PC

Step By Step Assembly Instructions

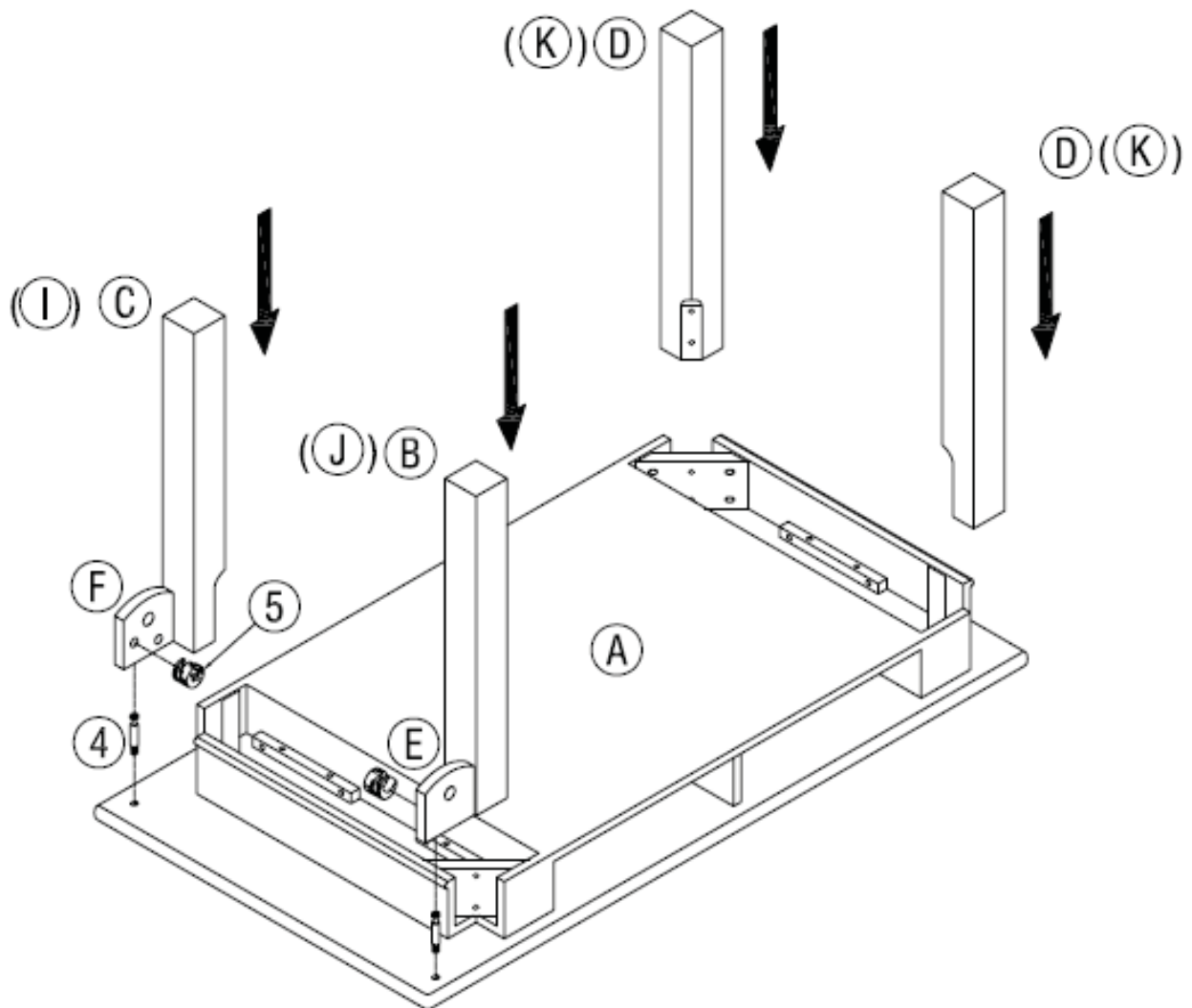
Step 1:

Pre-assemble Legs (B, C or I, J) with 1 Pin (4) and 1 Dowel (6) respectively. Attach Bar Support Panel (F) to Leg(C or I) locks with 1 Cam (5). Attach Bar Support Panel (E) to Leg (B or J) locks with 1 Cam (5).



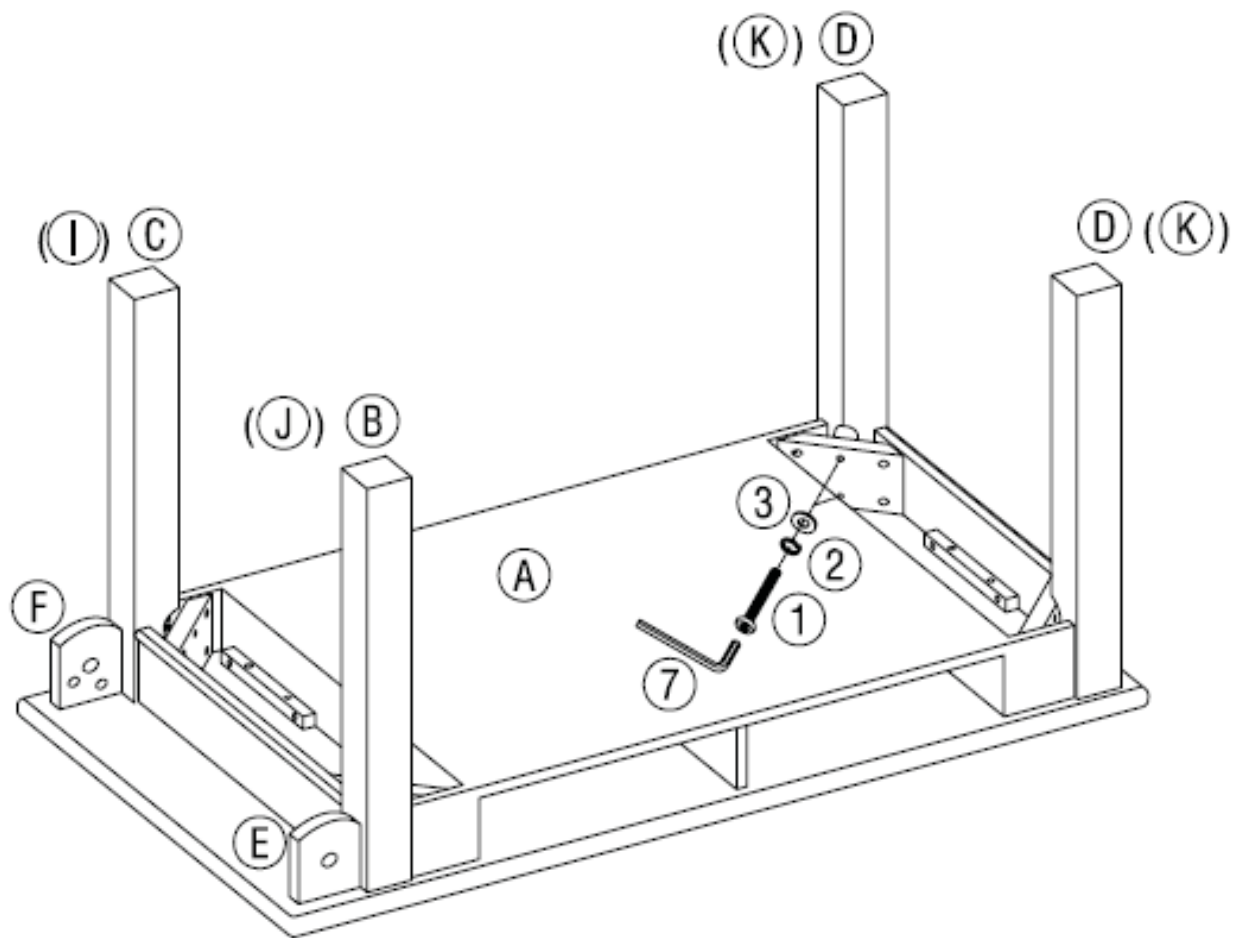
Step 2:

Identify the Legs' position to the Desk Top (A). Fasten 2 Pins (4) to the bottom side of Desk Top (A). Attach Legs (B, C or I, J) to the Desk Top (A) with 2 Cams (4).



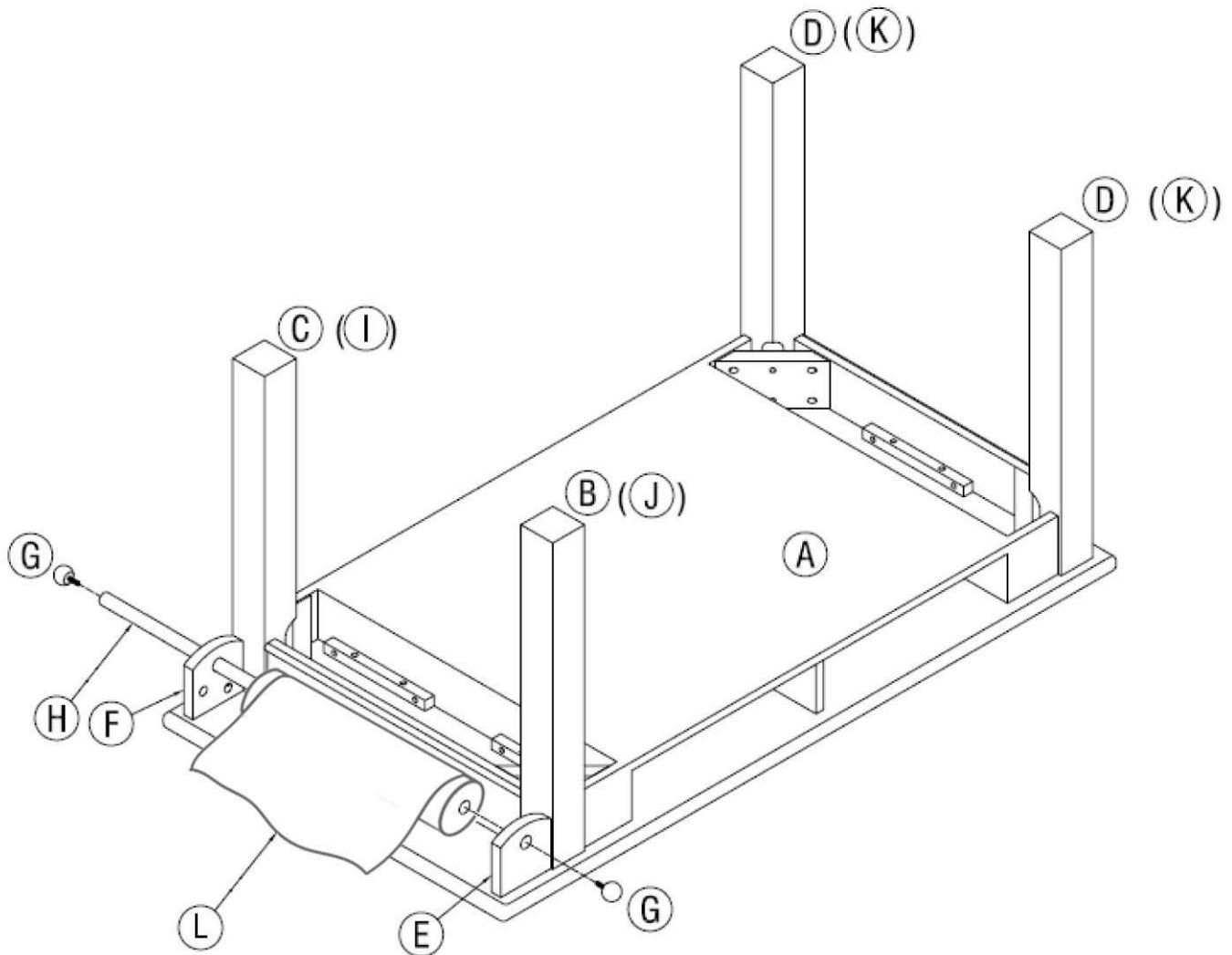
Step 3:

Fix 4 Legs (B, C, D or I, J, K) to Desk Top (A) with 4 Bolts (1), 4 Rings (2) and 4 Washers (3) by an Allen Wrench (7).

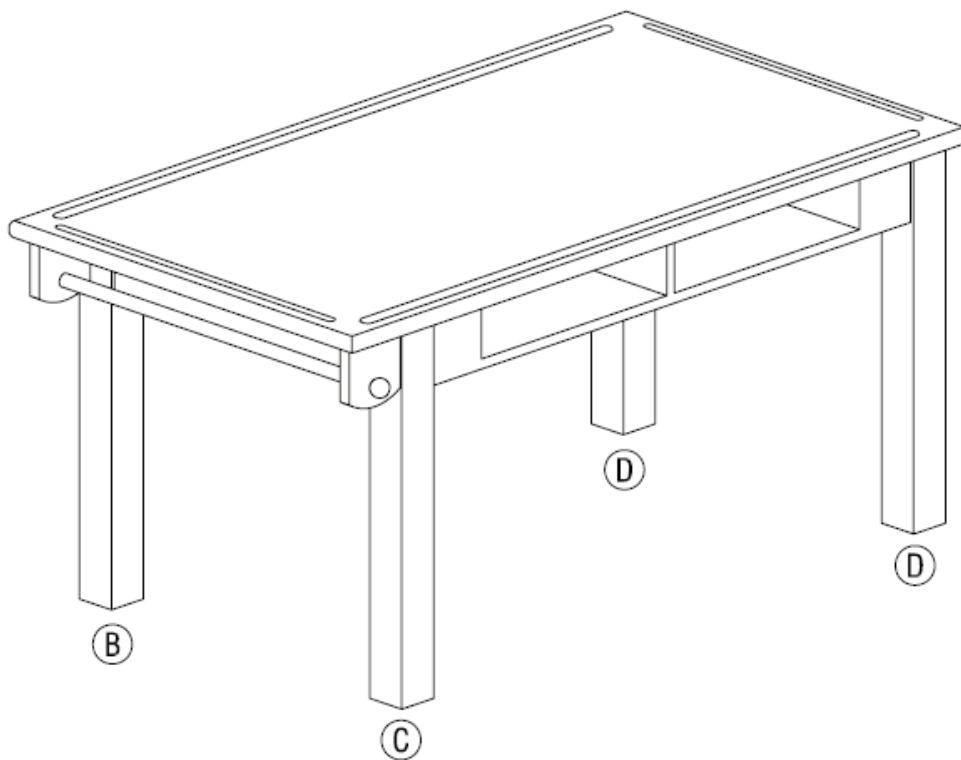


Step 4:

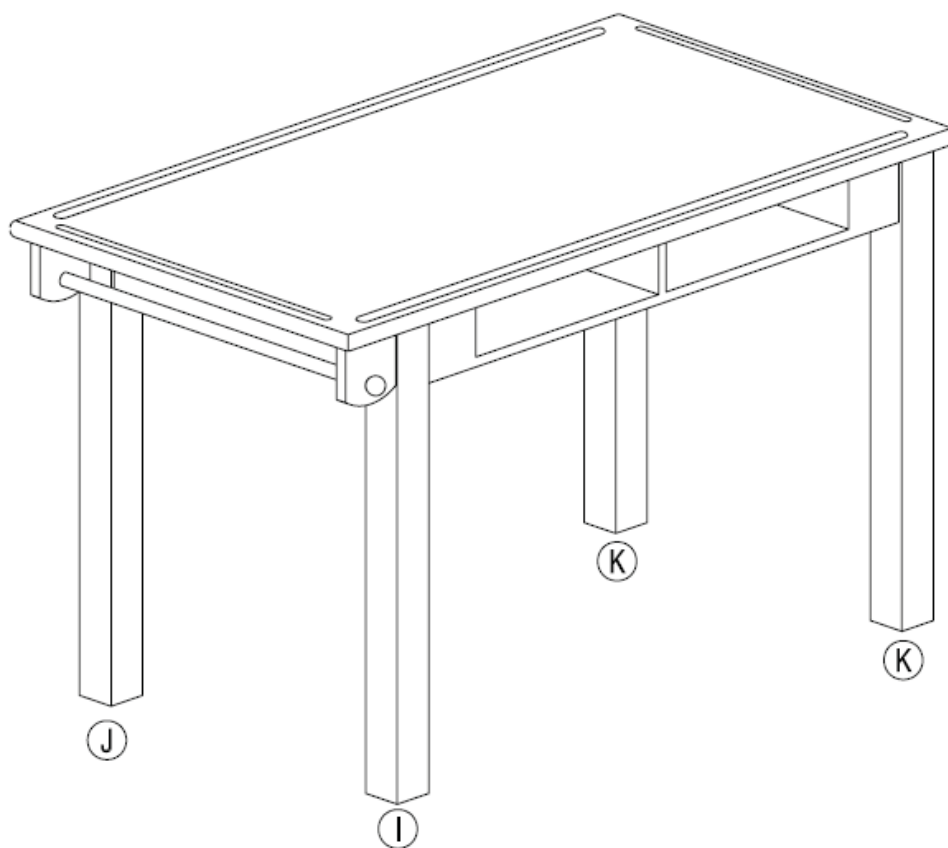
Insert the Paper roll(L) between the two Support panels(E,F) first.
Then, insert Bar(H) through the Support panel(F) and Paper roll(L), and the other
Support panel(E).
Finally, fix the two ends with 2 Knobs(G).



Step 5:



Step 6:



Thank you for your Purchase.